

EC35 SERIES ENERGY SAVING MOTOR



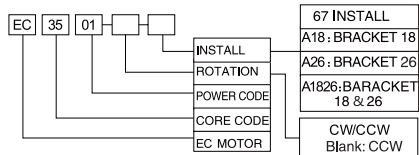
1.PRODUCTS INTRODUCTION

EC35 series energy saving motor made by plastic and aluminum alloy combined end cover, low power high efficient permanent magnet brushless motor, protect level is IP55, working environment temperature is -20--+50°C. Motor with three different install method, used for instead shaded pole motor.

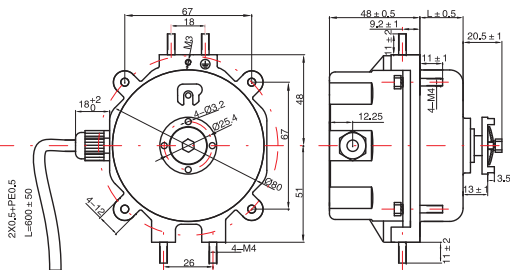
Mainly capability:

- 1) Motor with permanent magnet brushless DC motor, low vibration, lower noise, efficient higher than international requirement.
- 2) Motor with double insulation, more safe.
- 3) Motor with automatic voltage regulation function, the voltage suitable range is more widely, with AC230V ± 10%, 50Hz/60Hz.
- 4) Motor with low noise ball bearing, long life, stable quality.
- 5) Motor with overload voltage, overload current and overload heat protector, during the motor working if there have any restart situation please check if the motor with overload working.
- 6) Motor with starting and blocking protection.

2.Model



3.Installation diagram



4.EC motor rated parameter

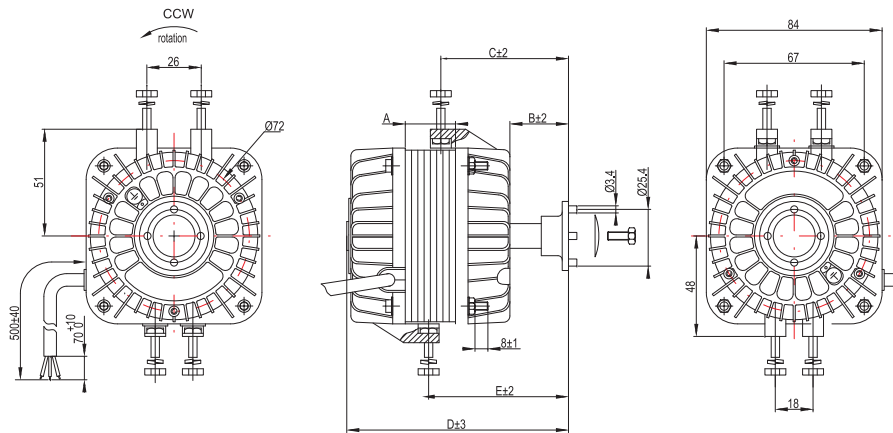
Model	L	Rated output (W)	Rated speed (r/min)	Rated current (A)	Weight (g)	Notice
EC3501	22.8	7.35	1350	0.14	540	
EC3502	22.8	14.7	1350	0.28	550	
EC3503	28.8	22	1350	0.41	800	

5.Aluminum blade running parameter

电机Motor		EC3501			EC3502			EC3503			
风叶Blade	直径 DIAMETER	角度 ANGLE	输入功率 INPUT W	转速 SPEED r/min	风量 AIR VOLUME m³/h	输入功率 INPUT W	转速 SPEED r/min	风量 AIR VOLUME m³/h	输入功率 INPUT W	转速 SPEED r/min	风量 AIR VOLUME m³/h
Φ145	34°	5	1700		7.2	1960					
Φ175	34°	6.5	1630		9.5	1887					
Φ200	28°	8.8	1516	460	13	1788	600				
Φ200	34°	9.5	1490	570	14	1754	700				
Φ230	31°	11.5	1390	620	17.5	1650	750				
Φ250	25°	13	1325	660	20	1580	930				
Φ250	34°				26.5	1392	1170				
Φ300	22°				26.5	1392	1350				
Φ300	25°										
Φ300	28°										
Φ300	31°										

Notice: Enviroment temperature 10°C, input power and speed tested with grill free air flow. Air volume Q calculate when the air pressure is 0.

SHADED POLE MOTOR



1. 电动机主要参数 Motor mainly parameter

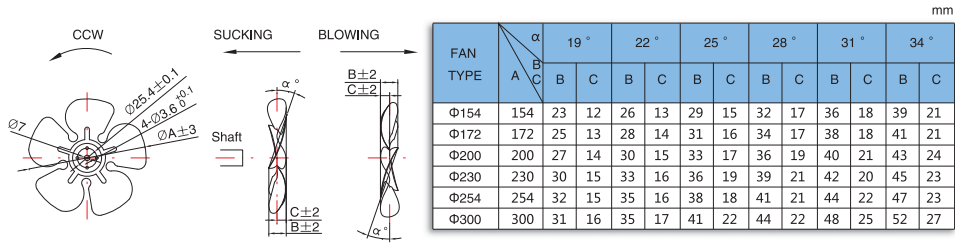
型号 MODEL	电压 UAC V	频率 f Hz	输出功率 P ₂ W	输入功率 P ₁ W	电流 I A	转速 n r/min	净重 N.W. KG	A mm	B mm	C mm	D mm	E mm
YZF45L13P4-3	1~230±5%	50/60	3	20 / 18	0.15 / 0.14	1300 / 1550	0.8	13	13.5	48	78	48
YZF45L13P4-5	1~230±5%	50/60	5	29 / 26	0.20 / 0.17	1300 / 1550	0.8	13	13.5	48	78	48
YZF45L20P4-7	1~230±5%	50/60	7	31 / 30	0.23 / 0.20	1300 / 1550	1.1	19	15	49.5	85	55.5
YZF45L20P4-10	1~230±5%	50/60	10	36 / 33	0.25 / 0.22	1300 / 1550	1.1	19	15	49.5	85	55.5
YZF45L25P4-16	1~230±5%	50/60	16	60 / 58	0.45 / 0.36	1300 / 1550	1.4	25	19	54	94	66
YZF45L30P4-18	1~230±5%	50/60	18	70 / 68	0.50 / 0.43	1300 / 1550	1.5	30	15.5	51	97	68.5
YZF45L30P4-23	1~230±5%	50/60	23 / 24	82 / 80	0.62 / 0.55	1300 / 1550	1.6	30	15.5	51	97	68.5
YZF45L40P4-25	1~230±5%	50/60	25 / 26	90 / 83	0.70 / 0.65	1300 / 1550	1.8	40	21.5	57	112	85
YZF45L45P4-34	1~230±5%	50/60	34	110 / 100	0.85 / 0.75	1300 / 1550	2.0	45	21.5	57	117	90

2. 风叶配合运行参数 Aluminum blade running parameter

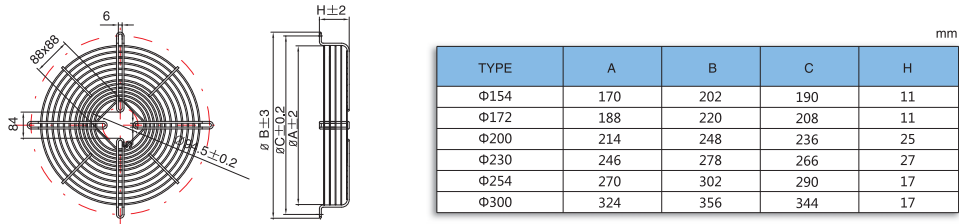
型号 MODEL	风叶直径 Diameter mm	角度 Angle °	输入功率 P ₁ W	转速 n r/min	风量 Q m³/h	环境温度 Temp. °C
YZF45L13P4-3	172	28°	20	1392	270	-25~+75
		31°	20.6	1370	295	-25~+75
YZF45L13P4-5	200	28°	25	1354	375	-25~+65
		34°	27	1338	440	-25~+65
YZF45L20P4-7	230	25°	26	1395	450	-25~+70
		28°	27	1360	500	-25~+65
YZF45L20P4-10	230	28°	34	1392	540	-25~+60
		34°	38	1352	720	-25~+55
YZF45L40P4-25	300	25°	39	1330	780	-25~+55
		25°	51	1395	850	-25~+55
YZF45L25P4-16	254	34°	55	1350	950	-25~+50

型号 MODEL	风叶直径 Diameter mm	角度 Angle °	输入功率 P ₁ W	转速 n r/min	风量 Q m³/h	环境温度 Temp. °C
YZF45L30P4-18	254	28°	58	1390	920	-25~+50
		22°	62	1320	1080	-25~+45
YZF45L30P4-23	300	22°	70	1370	1100	-25~+45
		25°	74	1330	1100	-25~+45
YZF45L40P4-25	300	22°	77	1390	1150	-25~+45
		25°	80	1350	1200	-25~+45
YZF45L45P4-34	300	28°	85	1310	1420	-25~+40
		22°	83	1400	1200	-25~+45
YZF45L45P4-34	300	25°	85	1375	1250	-25~+40
		28°	90	1340	1500	-25~+40

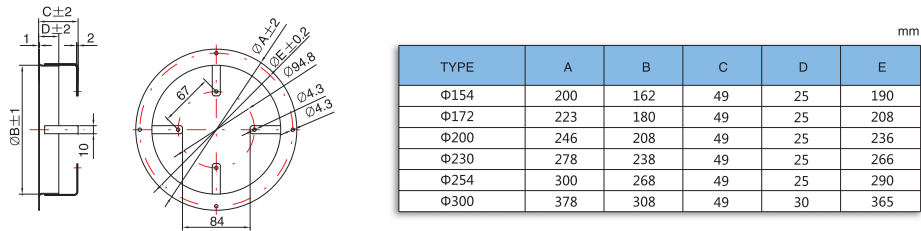
Fan Blade



网罩 Grid



法兰 Ring



支架 Bracket

